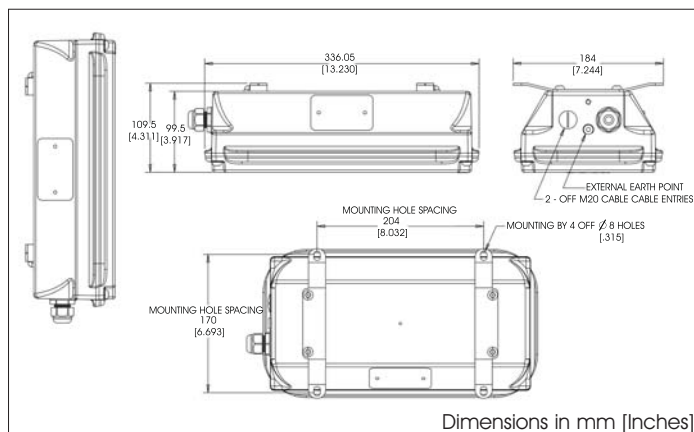




Patent #8,029,162

SafeSite® LED Bulkhead Fixture ATEX / IECEx



Dimensions in mm [Inches]

Certifications & Ratings:

- ATEX Zone 1, 21
- ATEX Zone 2, 22
- Certificate numbers: IECEx BAS 10.0051X
Baseefa10ATEX0092X
- CE - EN 55015-2006 & EN 61547
- Impact Rating to EN 50102: IK09
- IP 66
- IP 67
- RoHS compliant

11W / 22W

- Ex d e mb IIC T6 Gb, Ex tb IIIC T85°C Db II 2GD
- ABS Assessed: #11-LD678508-1-PDA

34W

- Ex d e mb IIC T5 Gb, Ex tb IIIC T100°C Db II 2GD

Features & Benefits:

- L70 rated for >100,000 hours @ 25°C ambient
- 5 year full performance warranty
- Sandblasting cover protector available
- Class I Div. 2 models available
- Instant on/off operation
- Mercury free, lead free
- Resistant to shock and vibration
- Plug and play - can be supplied complete with approved cable and plug
- Additional LED colors available upon request:
Green - for emergency shower lighting
Red - for emergency lighting

(MOQ applies for above colors, contact us at www.dialight.com)



Application:

The Dialight SafeSite® LED Bulkhead luminaire with its low profile, rugged design ensures long life and high reliability for a wide variety of Hazardous Area applications. Offered in 11W, 22W and 34W models, it is ideally suited for oil & gas, chemical, petro-chemical and other potentially explosive industrial environments. Dialight offers flush, angle and adjustable mounting options for use with the SafeSite Bulkhead as well as a recessed housing approved for hazardous locations.

Mechanical Information

Fixture Weight: 5.40kg (11.90 lbs)
Cabling: All cable entries are drilled and tapped see ordering options

Electrical specifications

Operating Voltage
11W & 22W: 100-277V AC, 50/60 Hz or 24-48V DC
34W: 100-277V AC, 50/60 Hz

Total System Power Consumption: 11W / 22W / 34W

Operating Temp: See temperature rating table

Harmonics: EN 61000-3-2: 2006

THD: <15% @ 120V AC
<20% @ 277V AC

Surge Protection: 1 kV line to line
2 kV line to ground

Power Factor: > 0.9

Materials

Housing: Copper free LM6 alum cast
Finish: Light grey epoxy powder coated (RAL7001)

Finish options (MOQ applies): Black epoxy powder coated (RAL9005)
White epoxy powder coated (RAL9010)

Lens: High impact resistant clear glass
High impact resistant frosted glass

Mounting Brackets: 316 stainless steel

Stanchion Brackets: Copper free LM6 alum cast

Photometric Information

CRI: 70

CCT: 5,650K (cool white)
4,300K (neutral white)

IES Files: see www.dialight.com

All values typical unless otherwise stated
All lumen values are typical (tolerance +/- 10%)

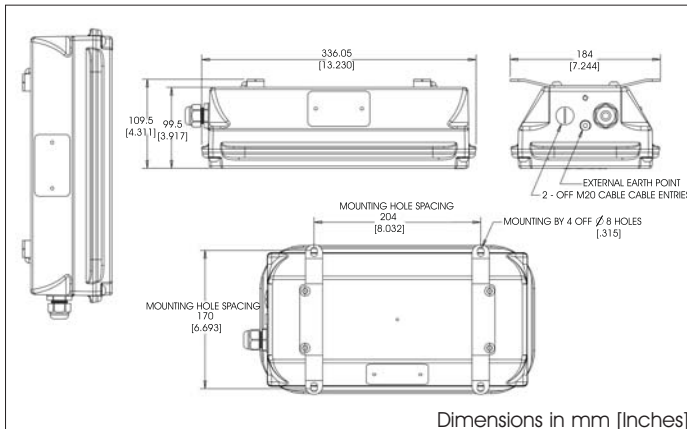
Temperature Ratings		
	Ambient Temperature Range T5 Temperature Code	Ambient Temperature Range T6 Temperature Code
11W	-40°C to +60°C (-40°F to +140°F)	-40°C to +50°C (-40°F to +122°F)
22W	-40°C to +60°C (-40°F to +140°F)	-40°C to +50°C (-40°F to +122°F)
34W	-40°C to +50°C (-40°F to +122°F)	-40°C to +40°C (-40°F to +104°F)
With Recessed Housing		
11W	-40°C to +55°C (-40°F to +131°F)	-40°C to +45°C (-40°F to +113°F)
22W	-40°C to +55°C (-40°F to +131°F)	-40°C to +45°C (-40°F to +113°F)
34W	-40°C to +45°C (-40°F to +113°F)	-40°C to +35°C (-40°F to +95°F)

Dialight



Patent #8,029,162

SafeSite® LED Bulkhead Fixture ATEX / IECEx - Emergency



Dimensions in mm [Inches]

Certifications & Ratings:

- ATEX Zone 1, 21
- ATEX Zone 2, 22
- Certificate numbers: IECEx BAS 10.0051X
Baseefa10ATEX0092X
- CE - EN 55015-2006 & EN 61547
- Impact Rating to EN 50102: IK09
- IP 66
- IP 67
- RoHS compliant

13W / 24W

- Ex d e mb IIC T6 Gb, Ex tb IIIC T85°C Db, II 2GD
- ABS Assessed: # 11-LD678508-1-PDA

36W

- Ex d e mb IIC T5 Gb, Ex tb IIIC T100°C Db, II 2GD

Features & Benefits:

- L70 rated for >100,000 hours @ 25°C ambient
- 5 year full performance warranty (battery not included)
- Sandblasting cover protector available
- Instant on/off operation
- Mercury free, lead free
- Resistant to shock and vibration
- Plug and play - can be supplied complete with approved cable and plug
- Additional LED colors available upon request:
Green - for emergency shower lighting
Red - for emergency lighting

(MOQ applies for above colors, contact us at www.dialight.com)



Application:

The Dialight SafeSite® LED Emergency Bulkhead luminaire has a low profile, rugged design to ensure long life and high reliability in a wide variety of ATEX/IECEx Zone 1 or 21 applications. This self-contained maintained emergency luminaire offers a minimum of 3 hours of illumination equal to 10% of the standard output. It is ideally suited for oil platforms, explosive environments, mills, chemical plants and other hazardous environments. Dialight offers flush, angle, stanchion mounting bracket and adjustable mounting options for use with the SafeSite Bulkhead as well as a recessed housing approved for hazardous locations.

Mechanical Information

Fixture Weight: 5.40kg (11.90 lbs)
Cabling: All cable entries are drilled and tapped see ordering options

Electrical Specifications

Operating Voltage: Max: 207-264V AC 50/60Hz
Max: 90-132V AC 50/60Hz available on 13W & 24W models only

Total System Power Consumption: See ordering table

Battery
13W & 24W: 3.6V 4Ah Nimh
36W: 3.6V 10Ah Nimh

Expected Battery Life: 4 years

Battery duration: >3 hours
(Consult factory for longer life models)

Operating Temp: See temperature rating table

Harmonics: EN 61000-3-2: 2006

THD: <15% @ 120V AC
<20% @ 230V AC

Surge Protection: 1 kV line to line
2 kV line to ground

Power Factor: > 0.9

Materials

Housing: Copper free LM6 alum cast
Finish: Light grey epoxy powder coated (RAL7001)

Finish options (MOQ applies): Black epoxy powder coated (RAL9005)
White epoxy powder coated (RAL9010)

Lens: High impact resistant clear glass
High impact resistant frosted glass

Mounting Brackets: 316 stainless steel

Stanchion Brackets: Copper free LM6 alum cast

Photometric Information

CRI: 70

CCT: 5,650K (cool white)
4,300K (neutral white)

IES Files: see www.dialight.com

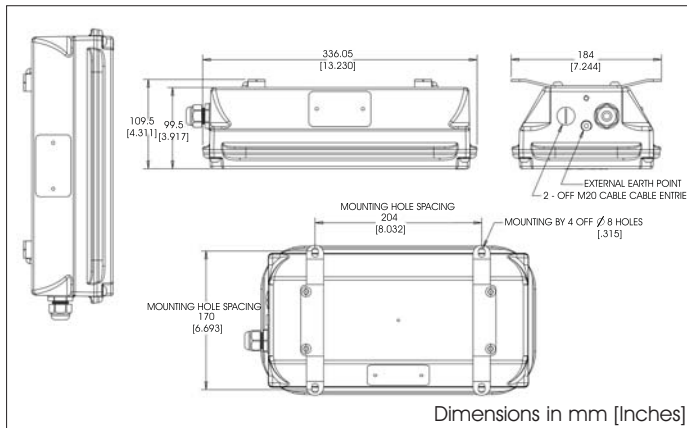
All values typical unless otherwise stated
All lumen values are typical (tolerance +/- 10%)

Temperature Ratings		
	Ambient Temperature Range T6 Temperature Code	Ambient Temperature Range T6 Temperature Code -20°C option
13W	0°C to +50°C (0°F to +122°F)	-20°C to +50°C (-4°F to +122°F)
24W		
36W	0°C to +40°C (0°F to +104°F)	-20°C to +40°C (-4°F to +104°F)
With Recessed Housing		
13W	0°C to +45°C (0°F to +113°F)	-20°C to +45°C (-4°F to +113°F)
24W		
36W	0°C to +35°C (0°F to +95°F)	-20°C to +35°C (-4°F to +95°F)



Patent #8,029,162

SafeSite® LED Amber Bulkhead ATEX / IECEx



Certifications & Ratings:

- ATEX Zones 1, 21
- ATEX Zones 2, 22
- Certificate numbers: IECEx BAS 10.0051X Baseefa10ATEX0092X
- CE - EN 55015-2006 & EN 61547
- Impact Rating to EN 50102: IK09
- IP 66
- IP 66
- RoHS compliant

11W / 22W

- Ex d e mb IIC T6 Gb, Ex tb IIIC T85°C Db, II 2GD
- ABS Assessed: #11-LD678508-1-PDA

34W

- Ex d e mb IIC T5 Gb, Ex tb IIIC T100°C Db, II 2GD

Features & Benefits:

- L70 rated for > 100,000 hours @ 25°C ambient
- 5 year full performance warranty
- Sandblasting cover protector available
- Class I Div. 2 models available
- Instant on/off operation
- Mercury free, lead free
- Resistant to shock and vibration
- Plug and play - can be supplied complete with approved cable and plug
- Additional LED colors available upon request:
Green - for emergency shower lighting
Red - for emergency lighting

(MOQ applies for above colors, contact us at www.dialight.com)



Application:

The Dialight SafeSite® LED Bulkhead luminaire with its low profile, rugged design ensures long life and high reliability for a wide variety of Hazardous Area applications. Offered in 11W, 22W and 34W models, it is ideally suited for oil & gas, chemical, petro-chemical and other potentially explosive industrial environments. Dialight offers flush, angle and adjustable mounting options for use with the SafeSite Bulkhead as well as a recessed housing approved for hazardous locations.

Mechanical Information

Fixture Weight: 5.40kg (11.90 lbs)
Cabling: All cable entries are drilled and tapped see ordering options

Electrical specifications

Operating Voltage
11W & 22W: 100-277V AC, 50/60 Hz or 24-48V DC
34W: 100-277V AC, 50/60 Hz

Total System Power Consumption: 11W / 22W / 34W

Operating Temp: See temperature rating table

Harmonics: EN 61000-3-2: 2006

THD: <15% @ 120V AC
<20% @ 277V AC

Surge Protection: 1 kV line to line
2 kV line to ground

Power Factor: > 0.9

Materials

Housing: Copper free LM6 alum cast
Finish: Light grey epoxy powder coated (RAL7001)

Finish options (MOQ applies): Black epoxy powder coated (RAL9005)
White epoxy powder coated (RAL9010)

Lens: High impact resistant clear glass
High impact resistant frosted glass

Mounting Brackets: 316 stainless steel

Stanchion Brackets: Copper free LM6 alum cast

Photometric Information:

CRI (typ): 30 (range 26-40)

Nmetres (typ): 590 (range 586-592)

IES Files: Consult factory

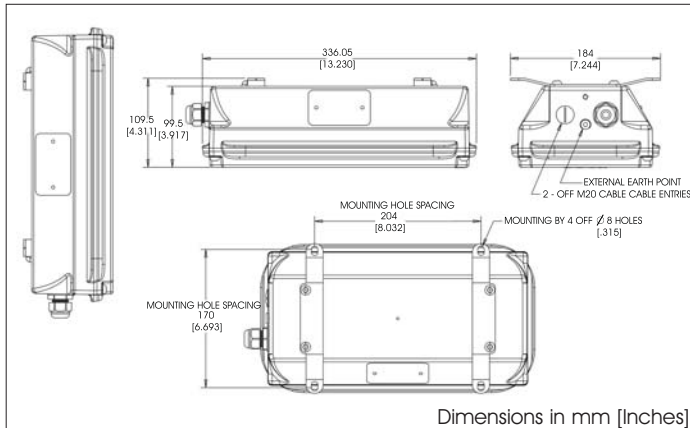
All values typical unless otherwise stated
All lumen values are typical (tolerance +/- 10%)

Temperature Ratings		
	Ambient Temperature Range T5 Temperature Code	Ambient Temperature Range T6 Temperature Code
11W	-40°C to +60°C (-40°F to +140°F)	-40°C to +50°C (-40°F to +122°F)
22W	-40°C to +60°C (-40°F to +140°F)	-40°C to +50°C (-40°F to +122°F)
34W	-40°C to +50°C (-40°F to +122°F)	-40°C to +40°C (-40°F to +104°F)
With Recessed Housing		
11W	-40°C to +55°C (-40°F to +131°F)	-40°C to +45°C (-40°F to +113°F)
22W	-40°C to +55°C (-40°F to +131°F)	-40°C to +45°C (-40°F to +113°F)
34W	-40°C to +45°C (-40°F to +113°F)	-40°C to +35°C (-40°F to +95°F)



Patent #8,029,162

SafeSite® LED Amber Bulkhead ATEX / IECEx - Emergency



Certifications & Ratings:

- ATEX Zones 1, 21
- ATEX Zones 2, 22
- Certificate numbers: IECEx BAS 10.0051X
Baseefa10ATEX0092X
- CE - EN 55015-2006 & EN 61547
- Impact Rating to EN 50102: IK09
- IP 66
- IP 67
- RoHS compliant

13W / 24W

- Ex d e mb IIC T6 Gb, Ex tb IIIC T85°C Db, II 2GD
- ABS Assessed: # 11-LD678508-1-PDA

36W

- Ex d e mb IIC T5 Gb, Ex tb IIIC T100°C Db, II 2GD

Features & Benefits:

- L70 rated for > 100,000 hours @ 25°C ambient
- 5 year full performance warranty (battery not included)
- Sandblasting cover protector available
- Instant on/off operation
- Mercury free, lead free
- Resistant to shock and vibration
- Plug and play - can be supplied complete with approved cable and plug
- Additional LED colors available upon request:
Green - for emergency shower lighting
Red - for emergency lighting

(MOQ applies for above colors, contact us at www.dialight.com)



Application:

The Dialight SafeSite® LED Emergency Bulkhead luminaire has a low profile, rugged design to ensure long life and high reliability in a wide variety of ATEX/IECEx Zone 1 or 21 applications. This self-contained maintained emergency luminaire offers a minimum of 3 hours of illumination equal to 10% of the standard output. It is ideally suited for oil platforms, explosive environments, mills, chemical plants and other hazardous environments. Dialight offers flush, angle, stanchion mounting bracket and adjustable mounting options for use with the SafeSite Bulkhead as well as a recessed housing approved for hazardous locations.

Mechanical Information

Fixture Weight: 5.40kg (11.90 lbs)
Cabling: All cable entries are drilled and tapped see ordering options

Electrical Specifications

Operating Voltage: Max: 207-264V AC 50/60Hz
Max: 90-132V AC 50/60Hz available on 13W & 24W models only

Total System Power Consumption: See ordering table

Battery 13W & 24W: 3.6V 4Ah Nimh
36W: 3.6V 10Ah Nimh

Battery Life: 4 years

Battery duration: >3 hours
(Consult factory for longer life models)

Operating Temp: See temperature rating table

Harmonics: EN 61000-3-2: 2006

THD: <15% @ 120V AC
<20% @ 230V AC

Surge Protection: 1 kV line to line
2 kV line to ground

Power Factor: > 0.9

Materials

Housing: Copper free LM6 alum cast
Finish: Light grey epoxy powder coated (RAL7001)

Finish options (MOQ applies):
Black epoxy powder coated (RAL9005)
White epoxy powder coated (RAL9010)

Lens: High impact resistant clear glass
High impact resistant frosted glass

Mounting Brackets: 316 stainless steel

Stanchion Brackets: Copper free LM6 alum cast

Photometric Information:

CRI (typ): 30 (range 26-40)

Nmetres (typ): 590 (range 586-592)

IES Files: Consult factory

All values typical unless otherwise stated
All lumen values are typical (tolerance +/- 10%)

Temperature Ratings		
	Ambient Temperature Range T6 Temperature Code	Ambient Temperature Range T6 Temperature Code -20°C option
13W	0°C to +50°C	-20°C to +50°C
24W	(0°F to +122°F)	(-4°F to +122°F)
36W	0°C to +40°C	-20°C to +40°C
	(0°F to +104°F)	(-4°F to +104°F)
With Recessed Housing		
13W	0°C to +45°C	-20°C to +45°C
24W	(0°F to +113°F)	(-4°F to +113°F)
36W	0°C to +35°C	-20°C to +35°C
	(0°F to +95°F)	(-4°F to +95°F)

SafeSite® LED Bulkhead Fixture - Ordering Information

Part Number	Voltage	Lens	Optic	CCT	Lumens	Wattage	LPW
Standard - 100 - 277V AC							
WPA-2N3L-NLGC	100-277V AC	Clear Glass	Wide	NW	2,250	34	66
WPA-4N3L-NLGC	100-277V AC	Clear Glass	Oval (35° X 55°)	NW	2,250	34	66
WPA-5N3L-NLGC	100-277V AC	Clear Glass	Oval (55° X 35°)	NW	2,150	34	63
WPA-2N3H-NLGC	100-277V AC	Clear Glass	Wide	NW	1,200	22	55
WPA-4N3H-NLGC	100-277V AC	Clear Glass	Oval (35° X 55°)	NW	1,200	22	55
WPA-5N3H-NLGC	100-277V AC	Clear Glass	Oval (55° X 35°)	NW	1,200	22	55
WPA-2N3C-NLGC	100-277V AC	Clear Glass	Wide	NW	600	11	55
WPA-4N3C-NLGC	100-277V AC	Clear Glass	Oval (35° X 55°)	NW	600	11	55
WPA-5N3C-NLGC	100-277V AC	Clear Glass	Oval (55° X 35°)	NW	600	11	55
Standard - 24-48V DC							
WPA-2N2H-NLGC	24-48V DC	Clear Glass	Wide	NW	1,200	22	55
WPA-4N2H-NLGC	24-48V DC	Clear Glass	Oval (35° X 55°)	NW	1,200	22	55
WPA-5N2H-NLGC	24-48V DC	Clear Glass	Oval (55° X 35°)	NW	1,200	22	55
WPA-2N2C-NLGC	24-48V DC	Clear Glass	Wide	NW	600	11	55
WPA-4N2C-NLGC	24-48V DC	Clear Glass	Oval (35° X 55°)	NW	600	11	55
WPA-5N2C-NLGC	24-48V DC	Clear Glass	Oval (55° X 35°)	NW	600	11	55
Emergency - 230 / 240V AC							
WEA-2N4L-NLGC	207-264V AC	Clear Glass	Wide	NW	2,250	36	63
WEA-4N4L-NLGC	207-264V AC	Clear Glass	Oval (35° X 55°)	NW	2,250	36	63
WEA-5N4L-NLGC	207-264V AC	Clear Glass	Oval (55° X 35°)	NW	2,150	36	63
WEA-2N4H-NLGC	207-264V AC	Clear Glass	Wide	NW	1,200	24	50
WEA-4N4H-NLGC	207-264V AC	Clear Glass	Oval (35° X 55°)	NW	1,200	24	50
WEA-5N4H-NLGC	207-264V AC	Clear Glass	Oval (55° X 35°)	NW	1,200	24	50
WEA-2N4C-NLGC	207-264V AC	Clear Glass	Wide	NW	600	13	46
WEA-4N4C-NLGC	207-264V AC	Clear Glass	Oval (35° X 55°)	NW	600	13	46
WEA-5N4C-NLGC	207-264V AC	Clear Glass	Oval (55° X 35°)	NW	600	13	46
Emergency - 90 - 132V AC							
WEA-2N5H-NLGC	90-132V AC	Clear Glass	Wide	NW	1,200	24	50
WEA-4N5H-NLGC	90-132V AC	Clear Glass	Oval (35° X 55°)	NW	1,200	24	50
WEA-5N5H-NLGC	90-132V AC	Clear Glass	Oval (55° X 35°)	NW	1,200	24	50
WEA-2N5C-NLGC	90-132V AC	Clear Glass	Wide	NW	600	13	46
WEA-4N5C-NLGC	90-132V AC	Clear Glass	Oval (35° X 55°)	NW	600	13	46
WEA-5N5C-NLGC	90-132V AC	Clear Glass	Oval (55° X 35°)	NW	600	13	46
Amber - 100 - 277V AC							
WPA-2A3L-NLGC	100-277V AC	Clear Glass	Wide	Amber		34	
WPA-4A3L-NLGC	100-277V AC	Clear Glass	Oval (35° X 55°)	Amber		34	
WPA-5A3L-NLGC	100-277V AC	Clear Glass	Oval (55° X 35°)	Amber		34	
WPA-2A3H-NLGC	100-277V AC	Clear Glass	Wide	Amber		22	
WPA-4A3H-NLGC	100-277V AC	Clear Glass	Oval (35° X 55°)	Amber		22	
WPA-5A3H-NLGC	100-277V AC	Clear Glass	Oval (55° X 35°)	Amber		22	
WPA-2A3C-NLGC	100-277V AC	Clear Glass	Wide	Amber		11	
WPA-4A3C-NLGC	100-277V AC	Clear Glass	Oval (35° X 55°)	Amber		11	
WPA-5A3C-NLGC	100-277V AC	Clear Glass	Oval (55° X 35°)	Amber		11	
Amber - 24 - 48V AC							
WPA-2A2H-NLGC	24-48V DC	Clear Glass	Wide	Amber		22	
WPA-4A2H-NLGC	24-48V DC	Clear Glass	Oval (35° X 55°)	Amber		22	
WPA-5A2H-NLGC	24-48V DC	Clear Glass	Oval (55° X 35°)	Amber		22	
WPA-2A2C-NLGC	24-48V DC	Clear Glass	Wide	Amber		11	
WPA-4A2C-NLGC	24-48V DC	Clear Glass	Oval (35° X 55°)	Amber		11	
WPA-5A2C-NLGC	24-48V DC	Clear Glass	Oval (55° X 35°)	Amber		11	
Emergency Amber - 230 / 240V AC							
WEA-2A4L-NLGC	207-264V AC	Clear Glass	Wide	Amber		36	
WEA-4A4L-NLGC	207-264V AC	Clear Glass	Oval (35° X 55°)	Amber		36	
WEA-5A4L-NLGC	207-264V AC	Clear Glass	Oval (55° X 35°)	Amber		36	
WEA-2A4H-NLGC	207-264V AC	Clear Glass	Wide	Amber		24	
WEA-4A4H-NLGC	207-264V AC	Clear Glass	Oval (35° X 55°)	Amber		24	
WEA-5A4H-NLGC	207-264V AC	Clear Glass	Oval (55° X 35°)	Amber		24	
WEA-2A4C-NLGC	207-264V AC	Clear Glass	Wide	Amber		13	
WEA-4A4C-NLGC	207-264V AC	Clear Glass	Oval (35° X 55°)	Amber		13	
WEA-5A4C-NLGC	207-264V AC	Clear Glass	Oval (55° X 35°)	Amber		13	
Emergency Amber - 90 - 132V AC							
WEA-2A5H-NLGC	90-132V AC	Clear Glass	Wide	Amber		24	
WEA-4A5H-NLGC	90-132V AC	Clear Glass	Oval (35° X 55°)	Amber		24	
WEA-5A5H-NLGC	90-132V AC	Clear Glass	Oval (55° X 35°)	Amber		24	
WEA-2A5C-NLGC	90-132V AC	Clear Glass	Wide	Amber		13	
WEA-4A5C-NLGC	90-132V AC	Clear Glass	Oval (35° X 55°)	Amber		13	
WEA-5A5C-NLGC	90-132V AC	Clear Glass	Oval (55° X 35°)	Amber		13	

*Please consult factory for Amber Bulkhead model lumen values

Standard Models only:

Models shown are neutral white, no bracket, clear glass for:

¹ For neutral white models replace the 4th character with **C** Ex: WEA-2N4L-NLGC become WEA-2C4L-NLGC

All Models:

² Angle bracket replace the 10th character with an **A** WPA-2C3L-NLGC becomes WPA-2N3L-A²LG

³ Flush bracket replace the 10th character with a **F** WPA-2C3L-NLGC becomes WPA-2N3L-F³LG

⁴ Frosted glass models replace the 13th character with a **F** WPA-2C3L-NLGC becomes WPA-2C3L-NLGF (Frosted lens will reduce lumen output by 6%)

⁵ For the -20°C option models add -20 to the ordering code WEA-2C4H-NLGC becomes WEA-2C4H-NLGC-**20**

SafeSite® LED Bulkhead Fixture

Gland Entry Options

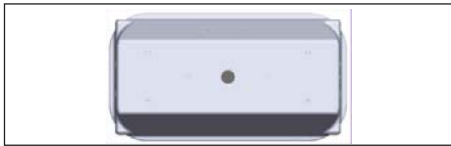
Standard Option
2 Entries One Side



Option "E"
2 Entries One Side, 1 Entry Opposite Side
Add **E** to the end of the order code



Option "R"
Add **R** to the end of the order code

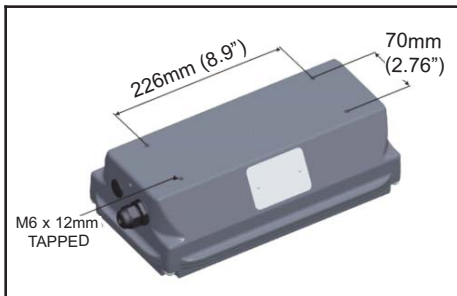


Option "H"
2 Entries One Side, 2 Entries Opposite Side
and 1 Entry in the Rear
Add **H** to the end of the order code

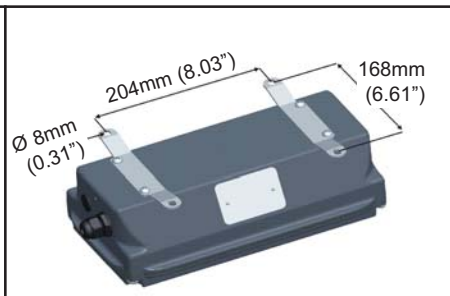


For gland size options and rear entry option please consult factory, MOQ applies.

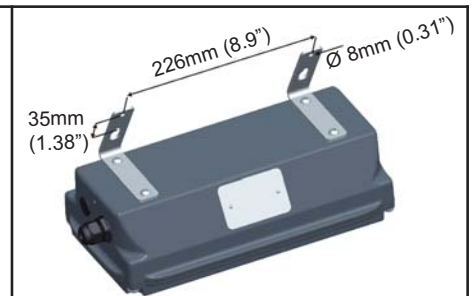
Without Bracket



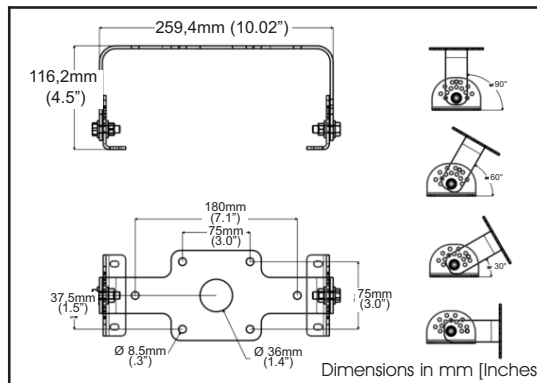
Flush Bracket



30° Angle Bracket

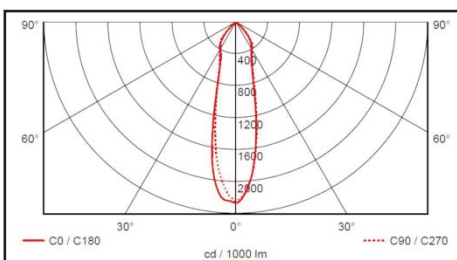


Adjustable bracket

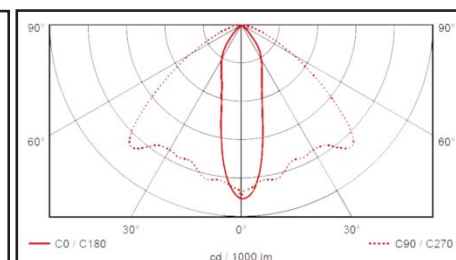


Polar Plots

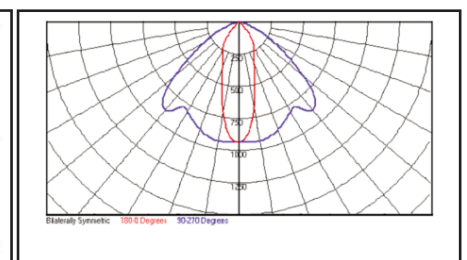
Wide Optic



Oval Optic (35°x55°)



Oval Optic (55°x35°)



SafeSite® LED Bulkhead Fixture

Mounting Options & Accessories









	Part Number	Description	Kit Includes
	WP-BRKT-SS-ADJ	Adjustable bracket	Bracket to fixture hardware
	WP-STMB-LG00-22	1 1/2" BSP threaded straight stanchion mounting bracket	EPDM gasket applied 2 M6 grub screws
	WP-STMB-LG00-24	1 1/2" NPT threaded straight stanchion mounting bracket	EPDM gasket applied 2 M6 grub screws
	WP-STMB-LG25-22	1 1/2" BSP threaded 25 degree stanchion mounting bracket	EPDM gasket applied 2 M6 grub screws
	WP-STMB-LG25-24	1 1/2" NPT threaded 25 degree stanchion mounting bracket	EPDM gasket applied 2 M6 grub screws
	WP-STMB-LG85-22	1 1/2" BSP threaded 85 degree stanchion mounting bracket	EPDM gasket applied 2 M6 grub screws
	WP-STMB-LG85-24	1 1/2" NPT threaded 85 degree stanchion mounting bracket	EPDM gasket applied 2 M6 grub screws
	WP-STMB-LG85-50	Non threaded bore 34mm diameter	EPDM gasket applied 2 M6 grub screws
	WP-STMB-LG85-60	Non threaded bore 38mm diameter	EPDM gasket applied 2 M6 grub screws
	WP-BRKT-LG-PF	Pipe and flush bracket	Bracket to fixture hardware
	WP-RECESS-WH	Recessed housing	Recessed housing Bracket to fixture hardware
	WPX-000799-BATT	Replacement Battery Kit (for Battery Backup models only)	Battery (4Ah 3.6V Battery Module)
	WPX-001500-BATT	Replacement Battery Kit (for Battery Backup models only)	Battery (10Ah 3.6V Battery Module)

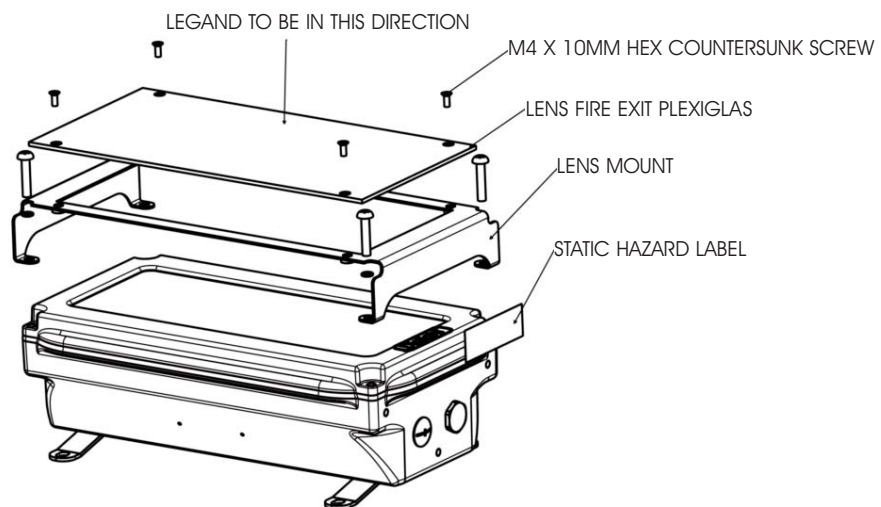
WP-STMB-LG00-XX
Stanchion mounting bracket



SafeSite® LED Bulkhead Fixture

Emergency Sign Options

	Part Number	Description	Kit Includes
	WP-LM-FE-TUM	Fire exit, man, arrow up	Emergency sign Sign bracket Mounting hardware
	WP-LM-FE-TRM	Fire exit, man, arrow right	Emergency sign Sign bracket Mounting hardware
	WP-LM-FE-TLM	Fire exit, man, arrow left	Emergency sign Sign bracket Mounting hardware
	WP-LM-FE-TDM	Fire exit, man, arrow down	Emergency sign Sign bracket Mounting hardware
	WP-LM-FE-TRM-AU	Man, arrow right	Emergency sign Sign bracket Mounting hardware
	WP-LM-FE-TLM-AU	Man, arrow left	Emergency sign Sign bracket Mounting hardware
	WP-LM-FE-LM-AU	Man left	Emergency sign Sign bracket Mounting hardware
	WP-LM-FE-RM-AU	Man right	Emergency sign Sign bracket Mounting hardware



Dialight reserves the right to make changes at any time in order to supply the best product possible. The most current version of this document will always be available at: www.dialight.com/Assets/Brochures_And_Catalogs/Illumination/MDEXSSBHATEXEU001.pdf
Warranty Statement: EXCEPT FOR THE WARRANTY EXPRESSLY PROVIDED FOR [HEREIN/ABOVE/BELOW], DIALIGHT DISCLAIMS ANY AND ALL OTHER WARRANTIES, EXPRESS OR IMPLIED, INCLUDING, WITHOUT LIMITATION, ANY WARRANTIES OF MERCHANTABILITY, FITNESS FOR A PARTICULAR PURPOSE, TITLE, AND NON-INFRINGEMENT