

Control Equipment



Position Switch in Metal Series 8074 to EN 50041

- Explosion protection to
 - CENELEC
 - IEC
- For use in
 - Zone 1 and Zone 2
 - Zone 21 and Zone 22
- Dimensions and functional measurements to EN 50041
- Replaceable contact elements in flameproof enclosure
- Positive opening contacts
- Wide range of actuators
- All attachments can be displaced through 4 x 90°
- Contact elements with slow-action contact or overlapping slow-action contact
- Extensively oil- and petrolresistant

STAHL

Position switches are used to monitor the position of moving parts of machines and plants.

The robust zinc pressure die-casting enclosure resists mechanical load and is e.g. suitable for security tasks in elevator construction, in conveyor technology as well as in machine and plant construction.





Series 8074 may be used in safety circuits as the device fulfills EN 60947-5-1.

For this series there is also a belt-alignment position switch available. Here the position switch monitors the conveyor belt.

Zones 1 & 2, 21 & 22

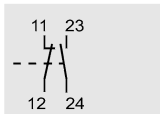
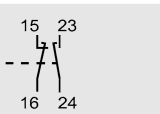
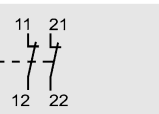
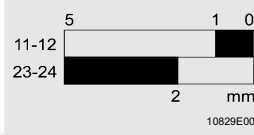
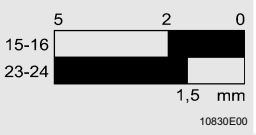
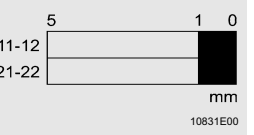


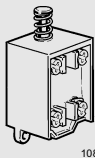
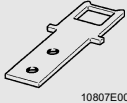



Selection table					
Version	Actuator		Switching function	Ordering code	Weight kg
 10787E00	Extended plunger	Plunger of stainless steel	1 NC + 1 NO Slow-action contact	8074/1-1-S	0,340
			2 NC Slow-action contact	8074/1-3-S	0,340
			1 NC + 1 NO Slow-action contact, overlapping	8074/1-5-S	0,340
 10786E00	Roller plunger	Roller of moulded plastic	1 NC + 1 NO Slow-action contact	8074/1-1-RS	0,342
			2 NC Slow-action contact	8074/1-3-RS	0,342
			1 NC + 1 NO Slow-action contact, overlapping	8074/1-5-RS	0,342
 10784E00	Roller lever plunger	Roller of moulded plastic	1 NC + 1 NO Slow-action contact	8074/1-1-AR	0,340
			2 NC Slow-action contact	8074/1-3-AR	0,340
			1 NC + 1 NO Slow-action contact, overlapping	8074/1-5-AR	0,340
 10790E00	Swivelling lever	Roller of moulded plastic	1 NC + 1 NO Slow-action contact	8074/1-1-HR311	0,425
			2 NC Slow-action contact	8074/1-3-HR311	0,425
			1 NC + 1 NO Slow-action contact, overlapping	8074/1-5-HR311	0,425
 10785E00	Adjustable roller lever	Roller of moulded plastic; rod of stainless steel	1 NC + 1 NO Slow-action contact	8074/1-1-HV	0,430
			2 NC Slow-action contact	8074/1-3-HV	0,430
			1 NC + 1 NO Slow-action contact, overlapping	8074/1-5-HV	0,430
 10779E00	Actuating rod	Rod of moulded plastic	1 NC + 1 NO Slow-action contact	8074/1-1-HH-K	0,400
			2 NC Slow-action contact	8074/1-3-HH-K	0,400
			1 NC + 1 NO Slow-action contact, overlapping	8074/1-5-HH-K	0,400
 10778E00	Spring-rod actuator	Spring of stainless steel	1 NC + 1 NO Slow-action contact	8074/1-1-F2	0,360
			2 NC Slow-action contact	8074/1-3-F2	0,360
 10781E00	Forked roller lever	Roller of moulded plastic	1 NC + 1 NO Slow-action contact	8074/1-1-GR	0,465
			2 NC Slow-action contact	8074/1-3-GR	0,465

Selection table						
Version	Actuator		Switching function	Ordering code	Weight kg	
 10782E00	Big swivelling lever	Roller of moulded plastic	1 NC + 1 NO Slow-action contact	8074/1-1-HR312	0,445	
			2 NC Slow-action contact	8074/1-3-HR312	0,445	
			1 NC + 1 NO Slow-action contact, overlapping	8074/1-5-HR312	0,445	
 10780E00	Belt-alignment switch	Roller of moulded plastic	1 NC + 1 NO Slow-action contact	8074/1-1-BSS	0,460	
 10783E00	Angled roller lever	Roller of moulded plastic	1 NC + 1 NO Slow-action contact	8074/1-1-WR	0,340	
			2 NC Slow-action contact	8074/1-3-WR	0,340	
			1 NC + 1 NO Slow-action contact, overlapping	8074/1-5-WR	0,340	
 10788E00	Safety switch	Separate actuator	1 NC + 1 NO Slow-action contact	8074/1-1-ZB	0,386	
		Separate actuator	2 NC Slow-action contact	8074/1-3-ZB	0,386	
		Note: Actuators for the safety switch have to be ordered separately.				
		Straight actuator		807400170210	0,027	
		Angled actuator		807400170220	0,037	
		Adjustable actuator		807400170230	0,038	

Technical Data

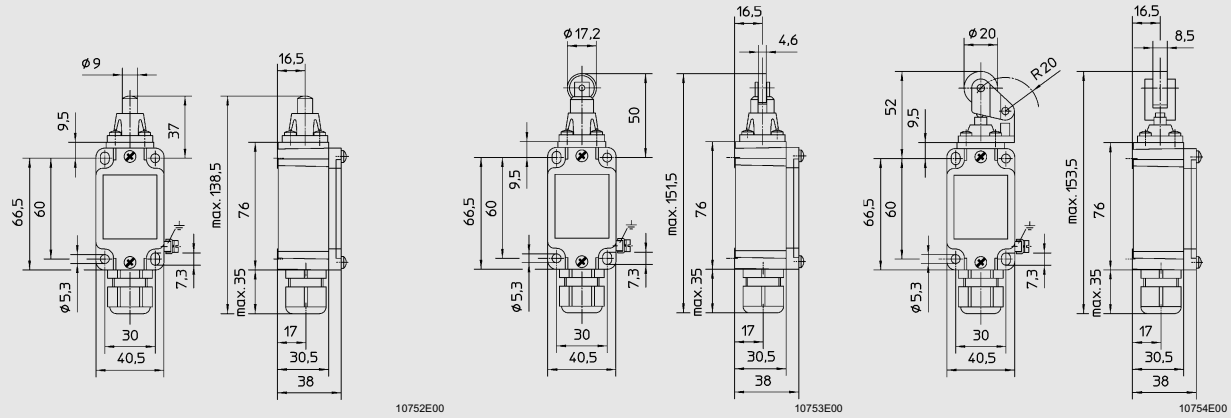
Explosion protection	
Gas explosion protection	⊕ II 2 G EEx de IIC T6
Dust explosion protection	⊕ II 2D IP 65 T80 °C
Certificates	
Gas explosion protection	BVS 05 ATEX E 007
Dust explosion protection	BVS 05 ATEX E 007
Material	
Housing	Zinc diecasting, coated
Contacts	Silver
Degree of protection	IP 65
Ambient temperature	- 20 °C ... + 60 °C
Connection	4 screw terminals M3
Flexible lead	Sheathed cable max. 5 x 1,5 mm ² , cables according to DIN VDE 0165
Cable glands	With cable entry 8161, M 20 x 1,5

Technical Data				
Contact block Version	8074/1-1-..	8074/1-5-..	8074/1-3-..	
	Schematic			
	Movements of deflection			
Switching function	Slow-action contact 1 NC + 1 NO Slow-action contact 1 NC + 1 NO, overlapping Slow-action contact 2 NC Positive opening contacts according to EN 60 947-5-1			
Electrical load	Min. electrical load 24 V AC/DC / 10 mA Max. electrical load 250 V AC / 6 A (AC - 15) 230 V DC / 0,25 A (DC - 13)			
Back-up fuse	6 A (time-lag)			
Life	max. 10 ⁶ operations *) max. 1800 operations/h *) Replace contact element after max. 10 ⁶ operations			

Accessories and spare parts					
Designation	Illustration		Ordering code	Weight kg	
Contact block		1 NC + 1 NO Slow-action contact	8084/1-1 S/Ö	808400600010	0,030
		2 NC Slow-action contact	8084/1-3 2Ö	808400600020	0,030
		1 NC + 1 NO Slow-action contact, overlapping	8084/1-5 S/Ö UE	808400600030	0,030
Actuator		Straight actuator	8074/1-.-ZB	807400170210	0,027
		Angled actuator	8074/1-.-ZB	807400170220	0,037
		Adjustable actuator	8074/1-.-ZB	807400170230	0,038
Cable gland		M20 x 1,5	8161/5-M20-13	8161077010	0,011



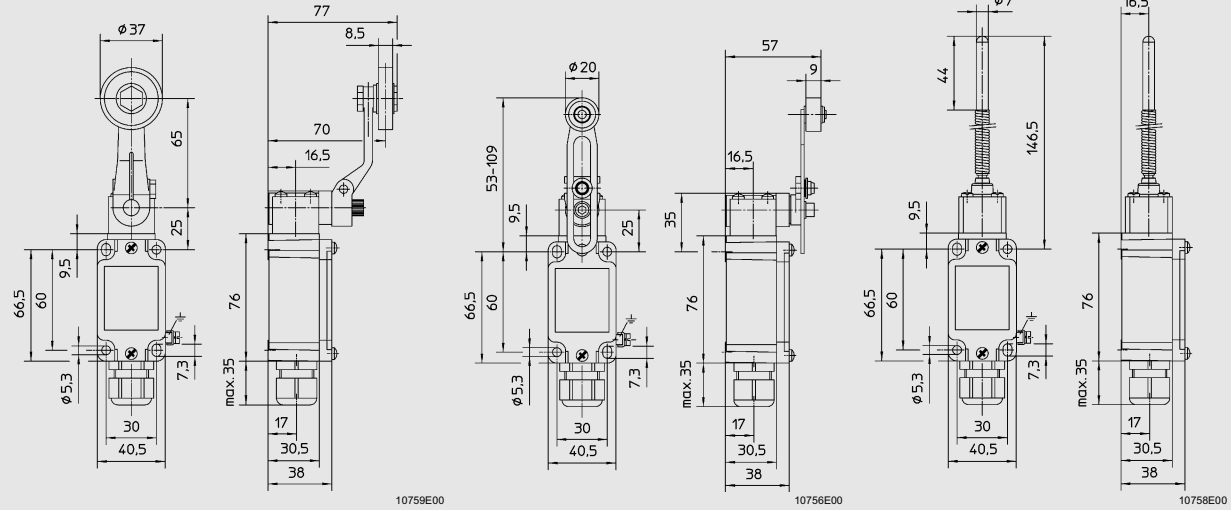
Dimension drawings (all dimensions in mm) - subject to alterations



8074/1--S
Extended plunger

8074/1--RS
Roller Plunger

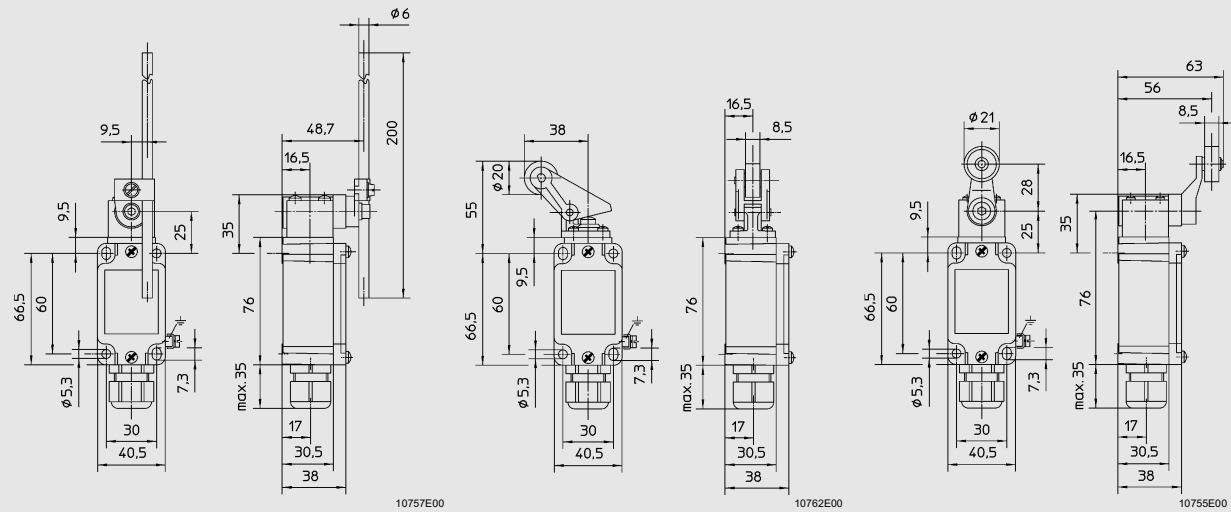
8074/1--AR
Roller lever plunger



8074/1--HR312
Big swivelling lever

8074/1--HV
Adjustable roller lever

8074/1--F2
Spring-rod actuator



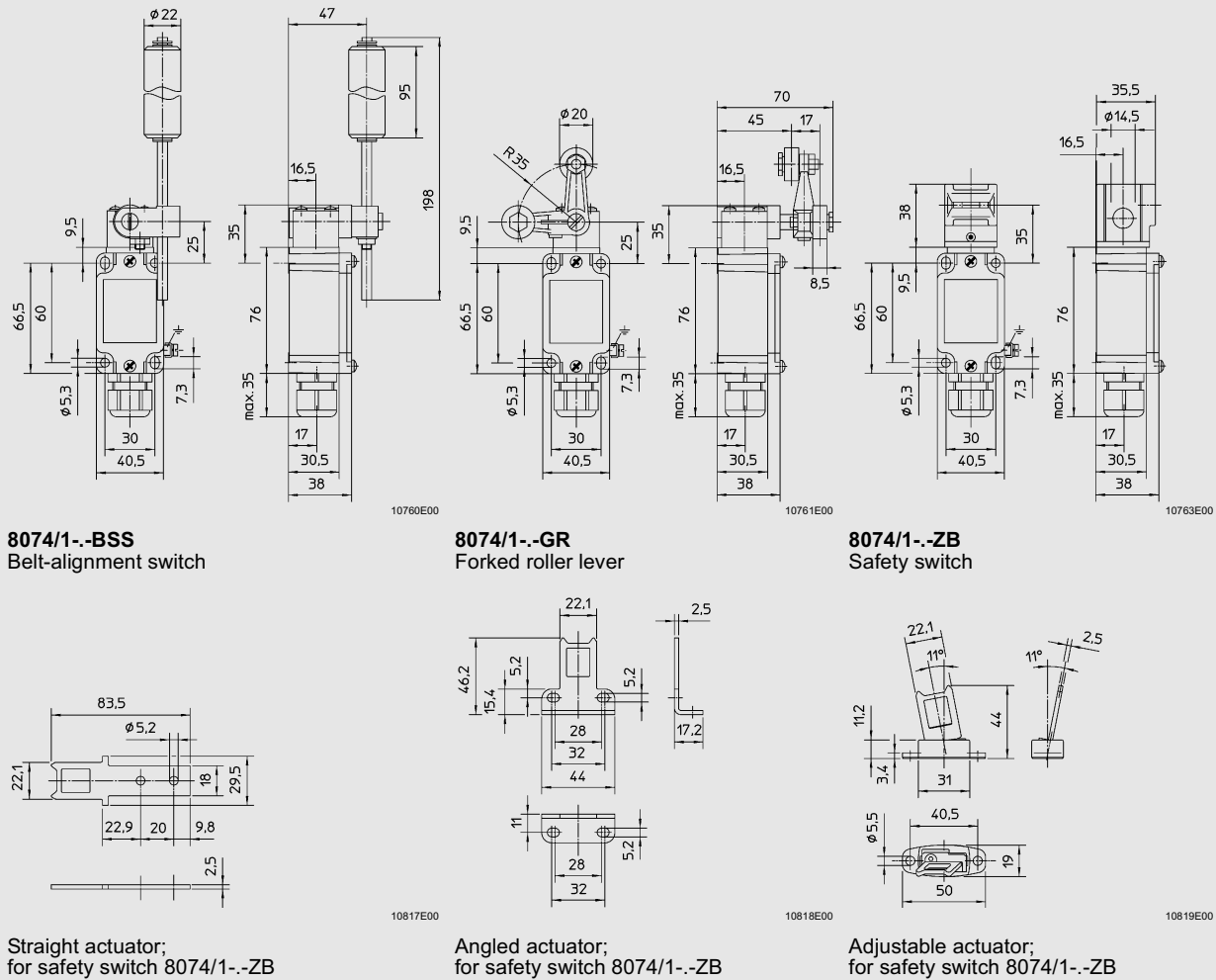
8074/1--HH-K
Actuating rod

8074/1--WR
Angled roller lever

8074/1--HR311
Swivelling lever

STAHL

Dimension drawings (all dimensions in mm) - subject to alterations



We reserve the right to make alterations to the technical data, weights, dimensions, designs and products available without notice. The illustrations cannot be considered binding.

